

S-GATE™ KNIFE GATE VALVE WITH PNEUMATIC ACTUATOR

MAIN FEATURES

The pneumatic S-GATE knife gate valve is intended for the automatic shut off of pipes of the heavy fluids like slurries and powders. The main fields of application are the water treatment, the paper industry and the food industry. The in-line tightness can be both uni- or bi-directional and several versions of the valve are available. The double effect pneumatic actuator allows the remote control of the valve. The pneumatic valve can be installed either indoor or outdoor. The movement of the gate is protected by lateral covers. Numerous options are available on the valve or on the actuator.

AVAILABLE MODELS

S-GATE 170/171 : cast iron body, stainless steel gate, NBR seat (S-170), EPDM (S-171)

S-GATE 172 : stainless steel body, stainless steel gate, EPDM seat

S-GATE 174 : cast iron body, stainless steel gate, Metal seat, under silo knife gate valve

S-GATE 176 : cast iron body, stainless steel gate, metal seat (in-line leakage: 2% kvs)

S-GATE 177/178 : cast iron body, stainless steel gate, EPDM seat (S-177), NBR (S-178), bi-directional tightness

S-GATE 179 : cast iron body, through-going stainless steel gate, EPDM seat, bi-directional tightness

Size 50 to 600, and Size 50 to 300 (S-179) wafer-lug mounting between flanges EN 1092 PN10 thread M. 6 bar compressed air supply

LIMITS OF USE

	S-170 to S-178		S-179	
	Pressure of fluid : PS	DN 50 to 200	10 bar	DN 50 to 125
	DN 250	8 bar	DN 150-200	8 bar
	DN 300	6 bar	DN 250-300	6 bar
	DN 350 to 400	4 bar	DN 350 to 400	4 bar
	DN 450 to 600	3 bar	DN 450 to 600	3 bar
Temperature du fluid : TS	See below			
Room temperature	-20°C / +60°C			
Compressed air supply	Mini : 5 bar / Maxi : 7 bar			
Fluid	Use not allowed on group 1 dangerous gas for sizes > 100			

TS / seat	NBR	EPDM	FPM	PTFE	METAL
170-171-174-177-178-179 : cast iron	-10°C	+0°C	-10°C	+0°C	-
172 : stainless steel	+90°C	+110°C	+150°C	+180°C	-
176 : cast iron	-	-	-	-	-10°C +90°C
176 : cast iron + graphite	-	-	-	-	-10°C +200°C

RULES AND STANDARDS OF CONSTRUCTION

Item	Standard
P.E.D. CE 2014/68	Category I module A
ATEX CE 94/4	Category 3 Ex II 3G/D TX areas 2 and 22
PN 10 flange's dimension	EN 1092-2
ANSI 150 flanges' dimension	ANSI B16.5
Final testing	EN 12266-1

Modifications reserved



Optional

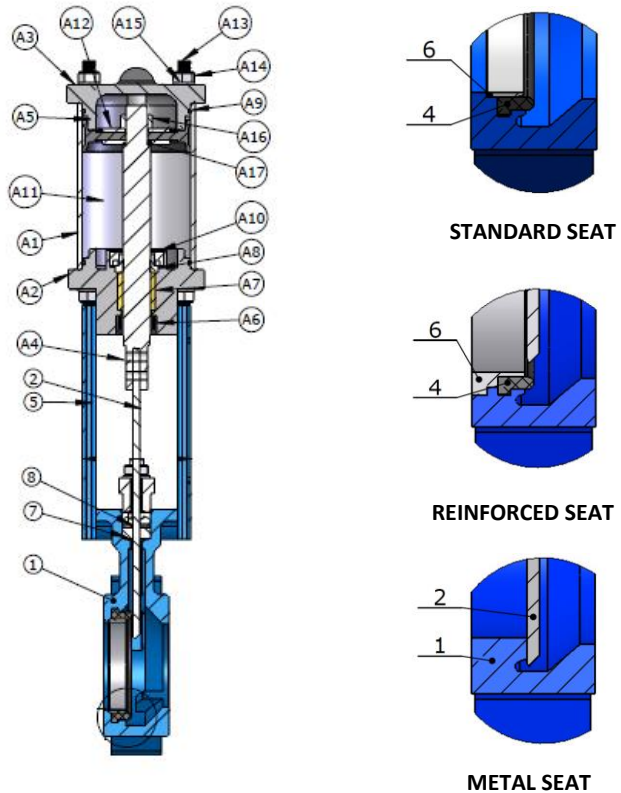


SECTORIEL S.A.
45 rue du Ruisseau
38290 SAINT QUENTIN-FALLAVIER – FRANCE
Tél : +33 4 74 94 90 70 - Fax : +33 4 74 94 13 95
www.sectoriel.com / Email : sectoriel@sectoriel.fr

Pages	1/9
Ref.	FT170+PN ENG
Rev.	15
Date	03/2021

S-GATE™ KNIFE GATE VALVE WITH PNEUMATIC ACTUATOR

UNI-DIRECTIONAL CONSTRUCTION



N°	Item	Cast iron S-170/S-171		Cast iron S-176	Stainless steel S-172
		NBR	EPDM	METAL	EPDM
1	Body	epoxy RAL 500S coated EN-GJL 250 cast iron			1.4408 stainless steel
2	Gate	AISI 304 stainless steel			AISI 316 stainless steel
3	Stuffing's box gland DN50-200	Aluminium			1.4408 stainless steel
3	Stuffing's box gland DN250-300	EN-GJL 250 cast iron			1.4408 stainless steel
4	Seat	NBR	EPDM	METAL	EPDM
5	Support	Epoxy coated carbon steel			Epoxy coated carbon steel
6	Ring	AISI 304 stainless steel			AISI 316 stainless steel
7	Packing	PTFE			PTFE
8	O-ring	NBR			EPDM
A1	Actuator's body	ASTM 6063 aluminium			
A2	Actuator's head	AS10G aluminium			
A3	Actuator's cover	Aluminium AS10G			
A4	Stem	AISI 410 stainless steel			
A5	Piston	NBR			
A6	Lip seal	PU			
A7	Guide tube	Bronze			
A8	Gasket	PU			
A9	O-ring	NBR			
A10	Blocking's nut	AISI 410 stainless steel			
A11	Washer	Carbon steel			
A12	Washer	Carbon steel			
A13	Tierod	8.8 steel			
A14	Nut	Zinc-plated steel			
A15	Washer	Steel			
A16	Self locking nut	Steel			
A17	O-ring	NBR			

Modifications reserved

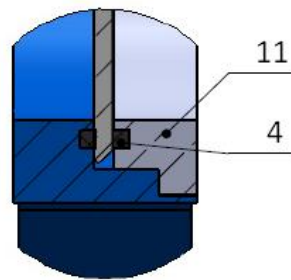


SECTORIEL S.A.
45 rue du Ruisseau
38290 SAINT QUENTIN-FALLAVIER – FRANCE
Tél : +33 4 74 94 90 70 - Fax : +33 4 74 94 13 95
www.sectoriel.com / Email : sectoriel@sectoriel.fr

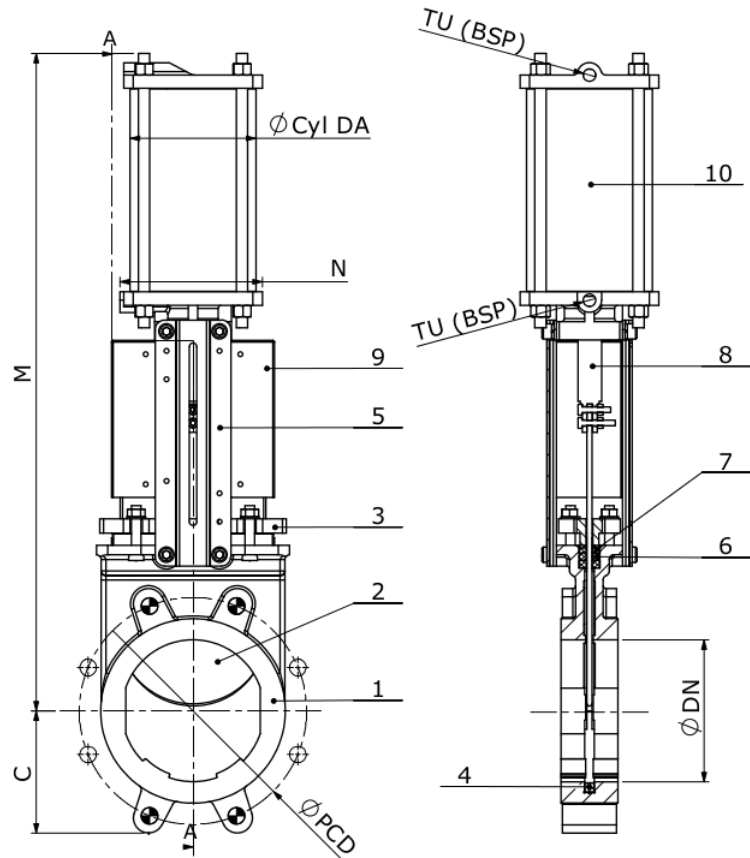
Pages	2/9
Ref.	FT170+PN ENG
Rev.	15
Date	03/2021

S-GATE™ KNIFE GATE VALVE WITH PNEUMATIC ACTUATOR

BI-DIRECTIONAL CONSTRUCTION




BI-DIRECTIONAL SEAT



N°	Item	Cast iron S-177 / S-178	
1	Body	epoxy RAL 500S coated EN-GJL 250 cast iron	
2	Gate	AISI 304 stainless steel	
3	Stuffing's box gland DN50-200	Aluminium	
3	Stuffing's box gland DN250-300	EN-GJL 250 cast iron	
4	Seat	EPDM	NBR
5	Support	Epoxy coated carbon steel	
6	O-ring	NBR	
7	Packing	PTFE	
8	Stem	AISI 410 stainless steel	
9	Lateral covers	Epoxy coated carbon steel	
10	Actuator	Aluminium	
11	Ring	AISI 304 stainless steel	

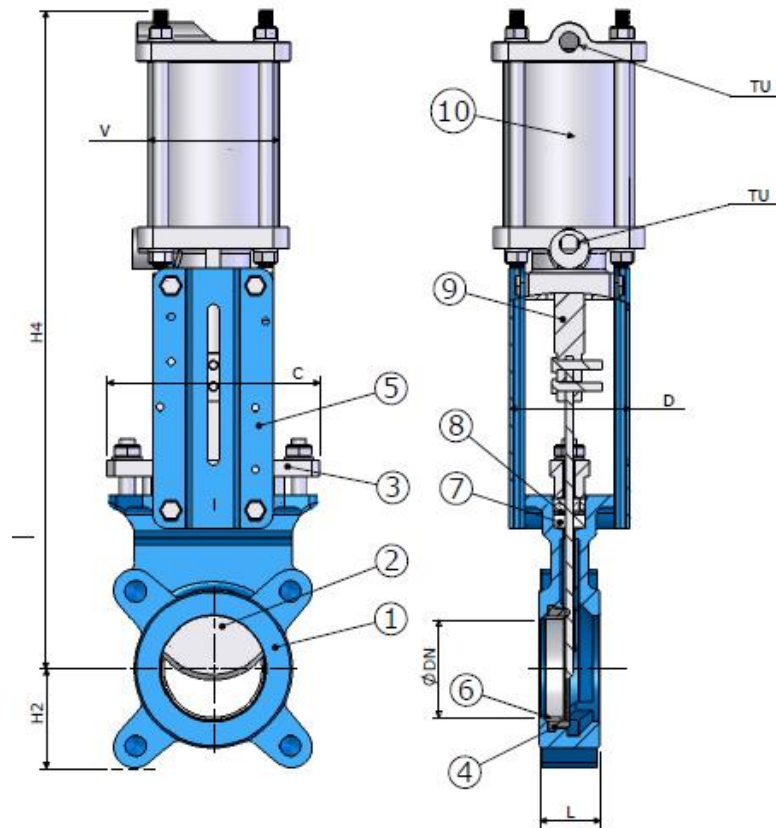
Maximum fluid's pressure : PS	Size	PS
	50-200	10 bar
	250	8 bar
	300	6 bar
	350-400	4 bar
	450-600	3 bar
	700-1200	2 bar

Modifications reserved

	SECTORIEL S.A. 45 rue du Ruisseau 38290 SAINT QUENTIN-FALLAVIER – FRANCE Tél : +33 4 74 94 90 70 - Fax : +33 4 74 94 13 95 www.sectoriel.com / Email : sectoriel@sectoriel.fr	Pages	3/9
		Ref.	FT170+PN ENG
		Rev.	15
		Date	03/2021


S-GATE™ KNIFE GATE VALVE WITH PNEUMATIC ACTUATOR

DIMENSIONS (mm)



DN	H2	H4	C	D	L	Flanges PN 10			Weight (Kg)
						Ø K	n	M	
50	63	400	125	92	40	125	4	M16	9
65	70	442	140	92	40	145	4	M16	11
80	92	483	155	92	50	160	4	M16	12
100	105	546	175	92	50	180	4	M16	13
125	120	630	190	102	50	210	4	M16	18
150	130	692	220	102	60	240	4	M20	22
200	160	869	275	120	60	295	4	M20	40
250	198	1032	325	120	70	350	6	M20	50
300	234	1182	380	120	70	400	6	M20	65
350	256	1379	440	290	96	460	10	M20	120
400	292	1535	495	290	100	515	10	M24	150
450	308	1677	550	290	106	565	14	M24	188
500	340	1839	615	290	110	620	14	M24	220
600	400	2145	715	290	110	725	14	M27	268

Modifications reserved

	SECTORIEL S.A. 45 rue du Ruisseau 38290 SAINT QUENTIN-FALLAVIER – FRANCE Tél : +33 4 74 94 90 70 - Fax : +33 4 74 94 13 95 www.sectoriel.com / Email : sectoriel@sectoriel.fr	Pages	4/9
		Ref.	FT170+PN ENG
		Rev.	15
		Date	03/2021

S-GATE™ KNIFE GATE VALVE WITH PNEUMATIC ACTUATOR

PNEUMATIC ACTUATION

The standard actuator are sized for following conditions:

- double effect linear actuator with aluminium body,
- 5 to 7 bar lubricated compressed air supply,

The operators are protected against the gate's movement by the lateral covers.

DN	Actuator's internal diameter Ø (mm)	Actuator's external diameter Ø (mm)	Actuator's volume (liter)	Air's ports TU
50	80	96	0,4	G 1/4"
65	80	96	0,5	G 1/4"
80	80	96	0,6	G 1/4"
100	100	115	1	G 1/4"
125	125	138	1,9	G 1/4"
150	125	138	2,3	G 1/4"
200	160	175	4,8	G 1/4"
250	200	218	9,4	G 1/4"
300	200	218	11,2	G 1/4"
350	250	270	20	G 3/8"
400	250	270	23	G 3/8"
450	320	382	51	G 3/8"
500	320	382	57	G 1/2"
600	320	382	70	G 1/2"

For any other operating conditions, please consult.

OPTIONS FOR THE ACTUATION

N°	
1	Filter-regulator on compressed air supply
2	Filter-regulator-lubricator on compressed air supply
3	5/2 monostable pilot solenoid valve, voltage 230V CA, 110V CA, 48V CA, 24V CA, 24V CC, 12V CC
4	Air break
5	Silencer
6	Quick exhaust
7	Mechanical limit switches Télémécanique XCKM 115
8	Position's detector IFM IFS 204, M12 connection
9	Position's detector P+F NBB4, NCB2
10	Simple effect piloting kit
11	Spring return actuator
12	Actuator with manual override
13	Stainless steel support (item.5)
14	Stainless steel lateral cover
15	Protection's cover for limit switches
16	3 positions piloting (open, closed and intermediate position)

OPTIONS FOR THE VALVE

N°	
1	NBR, EPDM, PTFE, FPM, metal-metal seats
2	Hight temperature graphited packing
3	Deflector
4	Bi-directionnal in-line tightness
5	Throught conduit gate
6	ANSI 150 standard flanges connection with threads UNS or M
7	PN 25 rating
8	Blow off seat

Modifications reserved



SECTORIEL S.A.
45 rue du Ruisseau
38290 SAINT QUENTIN-FALLAVIER – FRANCE
Tél : +33 4 74 94 90 70 - Fax : +33 4 74 94 13 95
www.sectoriel.com / Email : sectoriel@sectoriel.fr

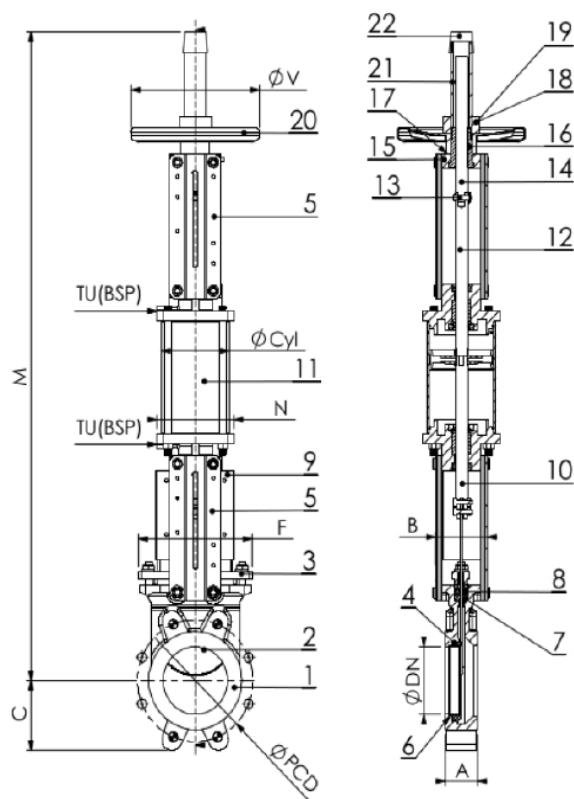
Pages	5/9
Ref.	FT170+PN ENG
Rev.	15
Date	03/2021

S-GATE™ KNIFE GATE VALVE WITH PNEUMATIC ACTUATOR

"M" OPTION: ACTUATOR WITH MANUAL OVERRIDE

PARTS' LIST

N°	Item	Cast iron version
1	Body	EN-GJL 250 cast iron
2	Gate	AISI 304 SS
3	Stuffing's box gland DN50-200	Aluminium
3	Stuffing's box gland DN250-300	EN-GJL 250 cast iron
4	Seat	NBR
5	Support	Steel
6	Ring	AISI 304 SS
7	Packing	PTFE
8	O-ring	NBR
9	Protection's cover	Steel
10	Stem	AISI 303 SS
11	Actuator	ALU
12	Uper stem	AISI 303 SS
13	Goupille	Steel
14	Handwheel's stem	AISI 303 SS
15	Potence	Steel
16	Bronze nut	Bronze
17	Washer	Brass
18	Screw	AISI 304 SS
19	Handwheel's nut	Steel
20	Handwheel	Steel
21	Tube	Steel
22	Plug	Plastic



DIMENSIONS (mm)

DN	A	B	C	D	F	V	M	ØPCD			deep.	Weight (kg)
50	40	92	63	289	124	200	713	125	4xM16	0	8	9
65	40	92	70	316	139	200	772	145	4xM16	0	8	10
80	50	92	92	342	154	200	829	160	4xM16	4	10	11
100	50	92	105	382	174	200	917	180	4xM16	4	10	14
125	50	102	120	415	192	250	1075	210	4xM16	4	10	19
150	60	102	130	458	217	250	1163	240	4xM20	4	12	22
200	60	120	160	575	270	300	1492	295	4xM20	4	12	38
250	70	120	198	676	326	300	1810	350	6xM20	6	15	58
300	70	120	234	776	380	300	2010	400	6xM20	6	15	72
350	96	290	256	906	438	500	2391	460	10xM20	6	19	140
400	100	290	292	1012	493	500	2597	515	10xM24	6	20	164
450	106	290	308	1098	546	500	2888	565	14xM24	6	24	203
500	110	290	340	1210	620	500	3109	620	14xM24	6	24	285
600	110	290	400	1416	714	500	3615	725	14xM27	6	24	378

Modifications reserved



SECTORIEL S.A.
45 rue du Ruisseau
38290 SAINT QUENTIN-FALLAVIER – FRANCE
Tél : +33 4 74 94 90 70 - Fax : +33 4 74 94 13 95
www.sectoriel.com / Email : sectoriel@sectoriel.fr

Pages	6/9
Ref.	FT170+PN ENG
Rev.	15
Date	03/2021

S-GATE™ KNIFE GATE VALVE WITH PNEUMATIC ACTUATOR

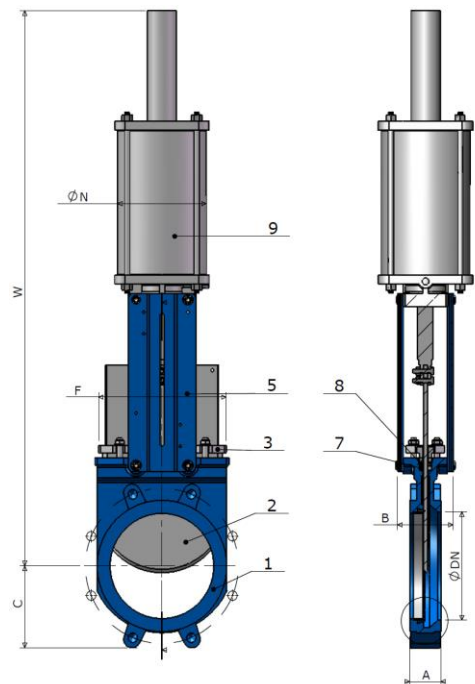
" S " OPTION: SPRING RETURN ACTUATOR

PARTS' LIST

N°	Item	Cast iron version	Stainless steel version
1	Body	EN-GJL 250 cast iron	Stainless steel 1.4408
2	Gate	AISI 304 SS	AISI 316 SS
3	Stuffing's box gland DN50-200	Aluminium	Stainless steel 1.4408
3	Stuffing's box gland DN250-300	EN-GJL 250 cast iron	Stainless steel 1.4408
4	Seat	NBR	EPDM
5	Support	STEEL	STEEL
6	Ring	Strainless steel 304	AISI 316 SS
7	Packing	PTFE	PTFE
8	O-ring	NBR	EPDM
9	Actuator	Aluminium	

DIMENSION (mm)

DN	A	B	C	F	W	N
50	40	92	63	125	720	96
65	40	92	70	140	766	96
80	50	92	92	155	810	96
100	50	92	105	175	875	115
125	50	102	120	190	975	138
150	60	102	130	220	1066	138
200	60	119	160	175	1380	175
250	70	119	198	325	1792	218
300	70	119	234	380	1932	218



OPTION: USE IN HAZARDOUS EXPLOSIBLE ATMOSPHERE

Optional, the S-GATE valve can be adapted for a use in hazardous explosive area. This version is registered as category 3 equipment following the CE ATEX 94/9 directive. It can be installed in the areas 2 and 22. The respect of the special instructions for mounting and maintenance of S-GATE valve in hazardous explosive atmosphere is mandatory.

Marking of the valve is following:


SECTORIEL S.A.		S-GATE®
F-38290 SAINT QUENTIN-FALLAVIER		
ANNEE	<input type="text"/>	REF <input type="text"/>
		N° DE SERIE <input type="text"/>
Respecter impérativement les instructions de montage et d'utilisation		

"B" OPTION: SEAT BLOW OFF

This option makes possible the cleaning of the seat by compressed air blow off. The blow off frequency is piloted by a 2/2 NC solenoid valve.



Modifications reserved

	SECTORIEL S.A. 45 rue du Ruisseau 38290 SAINT QUENTIN-FALLAVIER – FRANCE Tél : +33 4 74 94 90 70 - Fax : +33 4 74 94 13 95 www.sectoriel.com / Email : sectoriel@sectoriel.fr	Pages	7/9
		Ref.	FT170+PN ENG
		Rev.	15
		Date	03/2021

S-GATE™ KNIFE GATE VALVE WITH PNEUMATIC ACTUATOR

" T " OPTION : THROUG-GOING WITH DOUBLE EFFECT ACTUATOR

PARTS' LIST

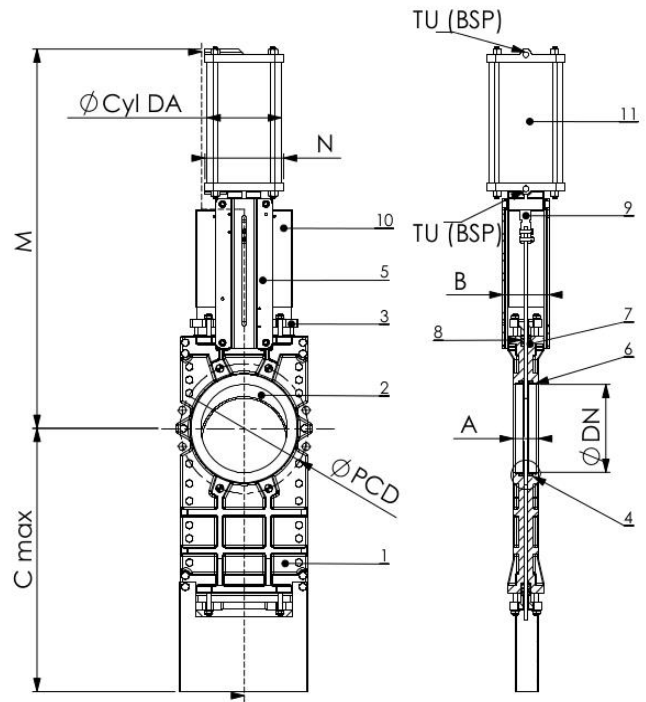
N°	Item	Cast iron version	Stainless steel version
1	Body	GG25	Stainless steel CFM8
2	Gate	Stainless steel 304	Stainless steel 316
3	Gland	DI	Stainless steel CF8M
4	Seat	EPDM	EPDM
5	Support	Steel	Steel
6	Retainer	Stainless steel 304	Stainless steel 316
7	Packing	PTFE	PTFE
8	O-ring	FKM	FKM
9	Stem	Stainless steel 304	Stainless steel 304
10	Protection	Steel	Steel
11	Actuator	Aluminium	



Reinforced



Metal



DIMENSIONS (mm)

DN	A	B	C max	M	Cyl DA	N	TU(PSD)	ØPCD			deep.	Weight (kg)
50	40	92	225	400	80	96	1/4"	125	4xM16	0	9	12
65	40	92	265	445	80	96	1/4"	145	4xM16	0	9	13
80	50	92	305	485	80	96	1/4"	160	4xM16	4	10	17
100	50	92	365	550	100	115	1/4"	180	4xM16	4	10	20
125	50	102	430	630	125	138	1/4"	210	4xM16	4	10	31
150	60	102	495	695	125	138	1/4"	240	4xM20	4	11	41
200	60	120	630	870	160	175	1/4"	295	4xM20	4	11	58
250	70	120	765	1035	200	218	3/8"	350	8xM20	4	13	97
300	70	120	895	1185	200	218	3/8"	400	8xM20	4	13	121
350	96	290	1020	1380	250	270	3/8"	460	12xM20	4	22	177
400	100	290	1165	1540	250	270	3/8"	515	12xM24	4	22	251
450	106	290	1325	1680	320	382	1/2"	565	16xM24	4	24	389
500	110	290	1450	1840	320	382	1/2"	620	16xM24	4	24	534
600	110	290	1750	2145	320	382	1/2"	725	16xM27	4	24	597

Modifications reserved



SECTORIEL S.A.
45 rue du Ruisseau
38290 SAINT QUENTIN-FALLAVIER – FRANCE
Tél : +33 4 74 94 90 70 - Fax : +33 4 74 94 13 95
www.sectoriel.com / Email : sectoriel@sectoriel.fr

Pages	8/9
Ref.	FT170+PN ENG
Rev.	15
Date	03/2021

S-GATE™ KNIFE GATE VALVE WITH PNEUMATIC ACTUATOR

" B " OPTION : UNDER SILO KNIFE GATE VALVE WITH DOUBLE EFFECT ACTUATOR

PARTS' LIST

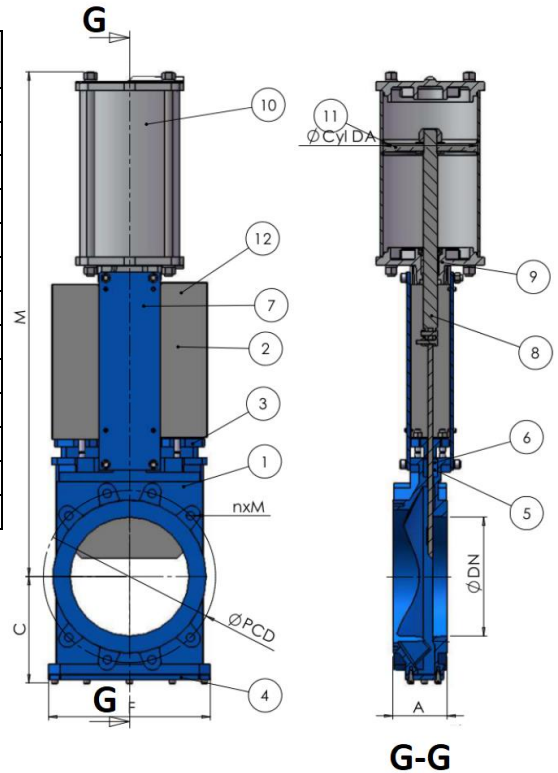
N°	Item	Cast iron version	Stainless steel version
1	Body	GGG40	Stainless steel 1.4408
2	Gate	Stainless steel 304	Stainless steel 316
3	Gland	DI	Stainless steel 1.4408
4	Cover	GGG40	Stainless steel 316
5	Packing	PTFE	PTFE
6	O-ring	NBR	EPDM
7	Support plate	Steel	Steel
8	Shaft	Sainless steel AISI 410	
9	Flange actuator	Aluminium	
8	O-ring	FKM	FKM
10	Actuator	Aluminium	
11	Piston	NBR + steel	
12	Cover	Steel	



**tightness
Metal / Metal**



**Reinforced
standard tightness**



- **Blowing openings** : 4 x G1/4"

DIMENSIONS (mm)

DN	A	C	M	Cyl DA	N	TU(PSD)	ØPCD			prof.
50	60	91	498	80	96	1/4"	125	4xM16	0	9
65	60	98	550	80	96	1/4"	145	4xM16	0	9
80	64	121	608	80	96	1/4"	160	4xM16	4	10
100	64	134	680	100	115	1/4"	180	4xM16	4	10
125	70	148	774	125	138	1/4"	210	4xM16	4	10
150	76	160	866	125	138	1/4"	240	4xM20	4	11
200	89	188	1090	160	175	1/4"	295	4xM20	4	11
250	114	224	1287	200	218	3/8"	350	8xM20	4	13
300	114	260	1462	200	218	3/8"	400	8xM20	4	13
350	127	285	1724	250	270	3/8"	460	12xM20	4	22
400	140	320	1899	250	270	3/8"	515	12xM24	4	22
450	152	336	2081	320	382	1/2"	565	16xM24	4	24
500	152	370	2267	320	382	1/2"	620	16xM24	4	24
600	178	428	2620	320	382	1/2"	725	16xM27	4	24

Modifications reserved

	SECTORIEL S.A. 45 rue du Ruisseau 38290 SAINT QUENTIN-FALLAVIER – FRANCE Tél : +33 4 74 94 90 70 - Fax : +33 4 74 94 13 95 www.sectoriel.com / Email : sectoriel@sectoriel.fr	Pages	9/9
		Ref.	FT170+PN ENG
		Rev.	15
		Date	03/2021